



VERTICASE

It's not easy to improve perfection. Regardless, some of our customer base teamed up with the EOC design staff to "take a crack at it". They added some of the latest trends, including metal enhancements, decorative perforations, new surface shapes, edge details and the latest data support technology. If that wasn't enough, they kept Verticase's popular mid-market pricing competitiveness as well!



Verticase cabinetry goes anywhere, within most any budget! Cabinets are available in a variety of widths, heights, configurations and finish options. Start with laminate or metal, add wood drawer/door fronts and then all wood, depending on budgets. **The "L" shaped configuration shown above** features metal perforated door and drawer faces and front modesty panel. The work surfaces are angled for easy front corner computer access.



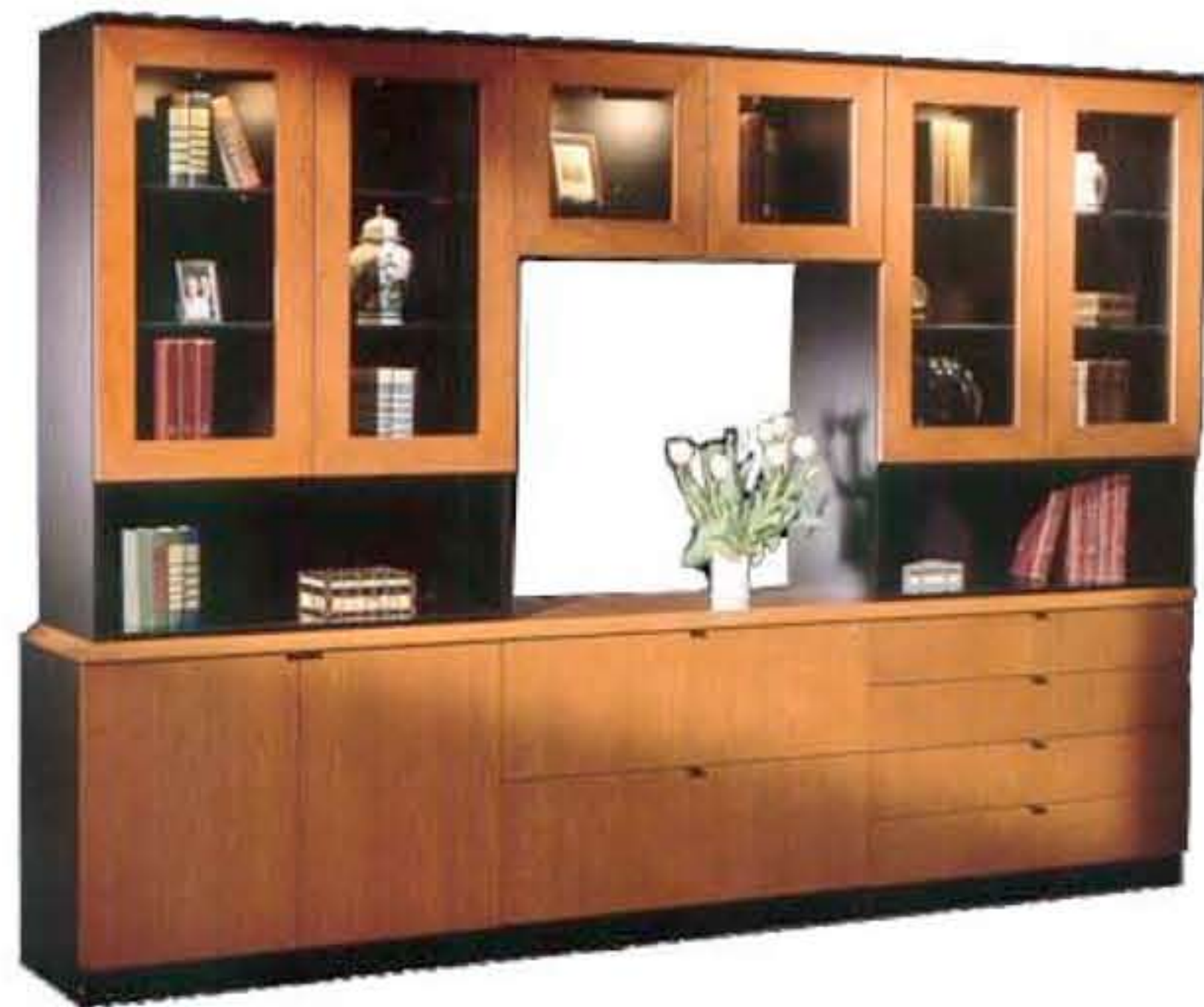
Above: A 36" x 84" table desk with mobile metal pedestals and a 96" long credenza with optional wooden and metal perforated drawer fronts. Shown with Synergy chair in matching finish. **Left:** Front view of mobile metal desk pedestals. Casters shown are optional.



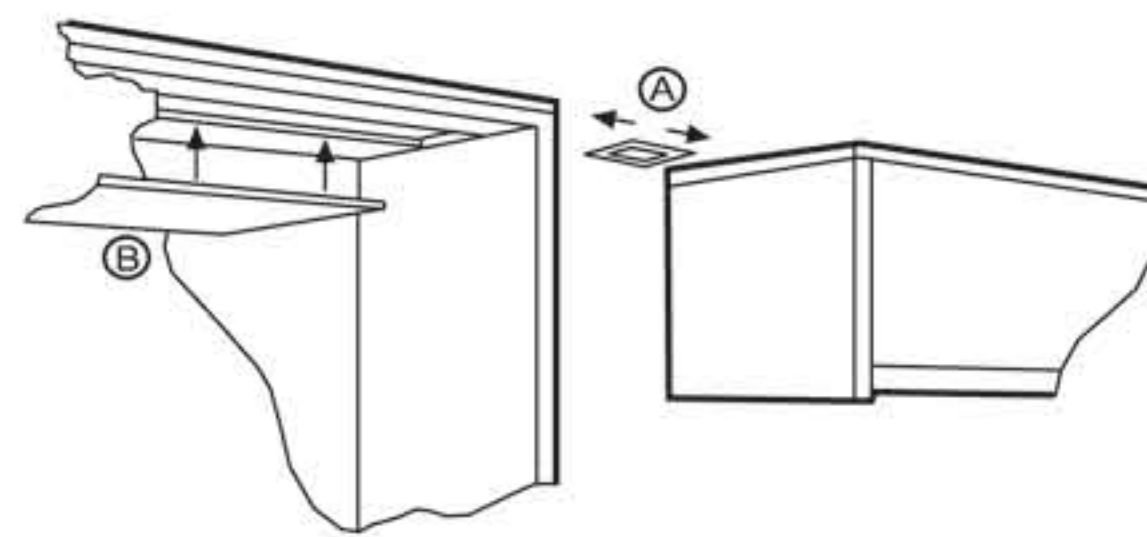


The modular work station shown above has a 9' x 11' footprint and includes 70 cubic feet of storage space. The 55 sq. ft. of work surface area is in a Sapeli Pommele decorative veneer inlay. It includes laminate cabinetry and wood door/drawer fronts and work surfaces.

The 108" wide credenza shown below includes three 36"W storage cabinets under a common top, two 36"W, 48"H glass door showcase cabinets on top and an 18"H, 36"W cabinet suspended in the center. The overall height is 77" and depth is a space conscious 18".



Verticase is totally modular! The 132" wide system shown below can be quickly flopped, or cabinets rearranged. Overhead storage units can suspend from adjacent free standing cabinets using concealed metal fasteners (see illustration at right). Cabinet interior ceilings remove for wiring access and fastener attachments. Lighting options include curio, recessed, track and task lamps.



Feature Filled Filing Systems

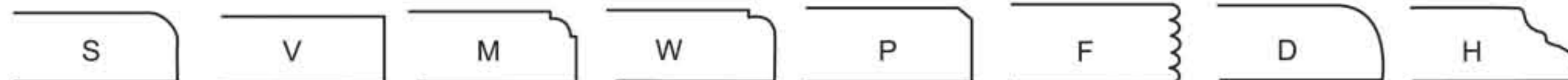


Verticase filing and storage systems are available in a wide selection of cabinet sizes, finishes and trim options. Shown above (left to right): (a) 2-drawer laminate cabinet with wood veneer fronts and top. (b) 3-drawer metal cabinet with a silver finished and perforated top drawer. (c) 4-drawer metal cabinet with recessed wood veneer drawer fronts. (d) 5-drawer metal cabinet with a flip door roll-out top shelf.

File cabinets include adjustable folder frames, anti-tip locking systems, reinforced drawer bottoms and progressive suspension ball bearing slides. They are available in both standard and custom wood or metal finishes and in a choice of special top and drawer fronts. You can also specify split drawer configurations.

Power management is a trademark of the Verticase system. In addition to the cabinetry's ceiling and base reservoirs, vertical and horizontal wire managers can parade power to any desired location. Special power base reservoirs are also available on conference tables. Retractable power centers, grommets and collection systems can be either factory or field installed.

EOC support services include computer assisted (GIZA) planning and layout assistance, toll-free communications, freight-free delivery (within the contiguous USA) and attention to special requirements. EOC showrooms, dealers and representatives are nationwide. We invite you to visit our website at www.eoccorp.net or call 800-421-5927.



1715 Anderson Avenue, Compton, CA 90220
 eoc@earthlink.net <http://www.eoccorp.net>
 800-421-5927 310-537-1657 FAX: 310-603-9100